

Acacia

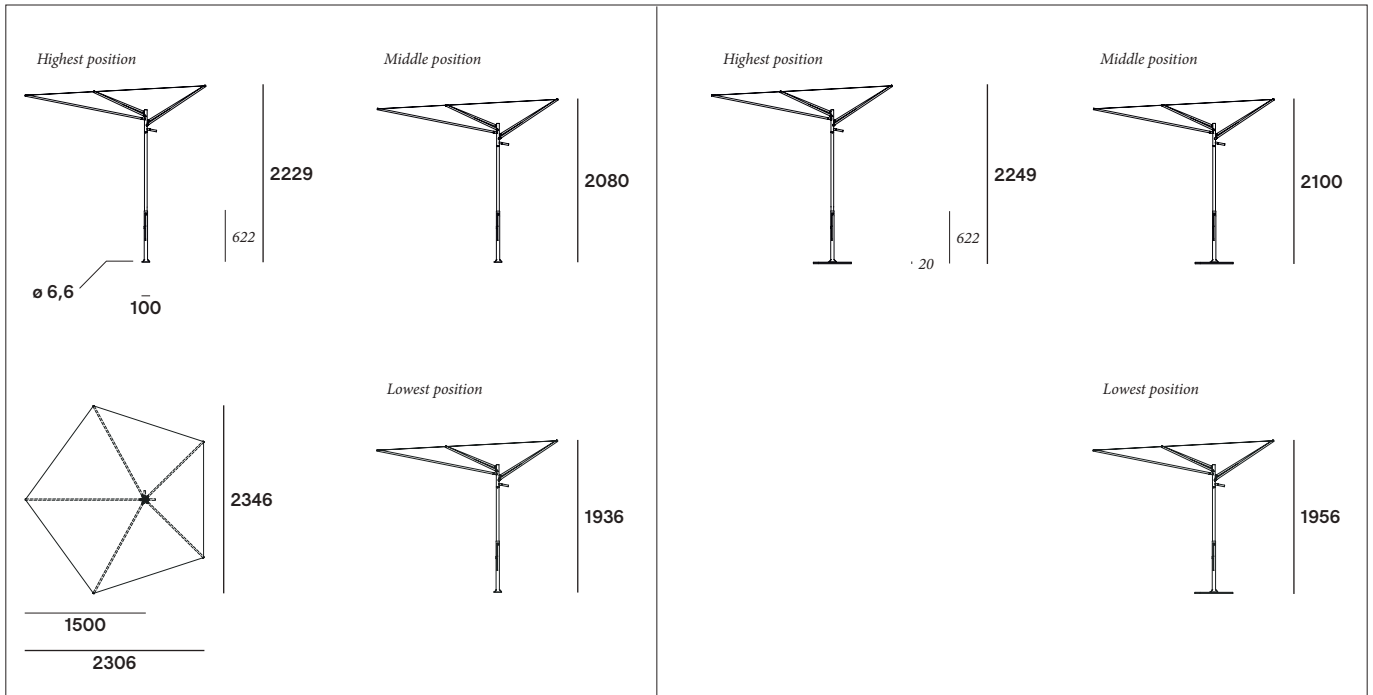
© design by Dirk Wynants

With floor fastening
On parasol foot
In combination with Virus
Battery LED-light



Acacia with floor fastening

Acacia on standard parasol base



BOX 1: FABRIC + TUBES



Box dimensions (mm)		L	W	H	Qty (#)	Volume (m ³)	Gross weight (kg)	Net weight (kg)	Packaging weight (kg)
Acacia with floor fastening	Box 1	1650	155	110	1	0,03	12,00	11,00	1,00

extremis®

The content of this document, in particular the mentioned models, is protected by copyrights and/or design rights. The present document and its content is communicated to you for information purposes only. Any partial or total reproduction or any other use without our prior written permission is strictly prohibited. This technical sheet remains subject to possible changes. **All dimensions are in mm**, unless mentioned otherwise. Extremis is not responsible for the errors in the documentation of products. All measurements are approximate and are provided for informational purposes only.

Tech sheet
20190208

Parasol base

Lightweight	Standard	Heavy duty	BOX 2: PARASOL FOOT						
Box dimensions (mm)	L	W	H	Qty (#)	Volume (m ³)	Gross weight (kg)	Net weight (kg)	Packaging weight (kg)	
Parasol base lightweight	Box 2	500	500	20	1	0,01	16,00	15,00	1,00
Parasol base standard	Box 2	500	500	20	2	0,01	32,00	30,00	2,00
Parasol base heavy duty	Box 2	500	500	20	3	0,02	48,00	45,00	3,00

LED light

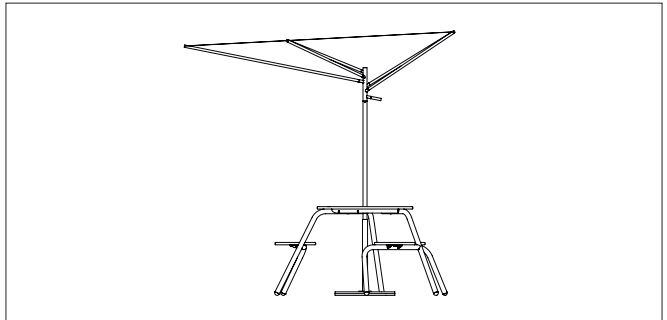
LED light			BOX 3: LED LIGHT						
Box dimensions (mm)	L	W	H	Qty (#)	Volume (m ³)	Gross weight (kg)	Net weight (kg)	Packaging weight (kg)	
LED light	Box 3	155	50	50	1	0,01	0,21	0,20	0,01

In combination with Virus

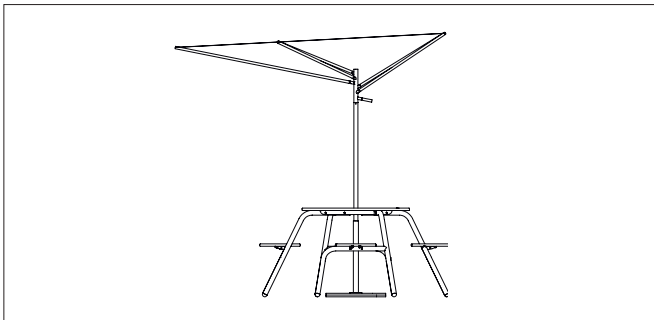
2-seater



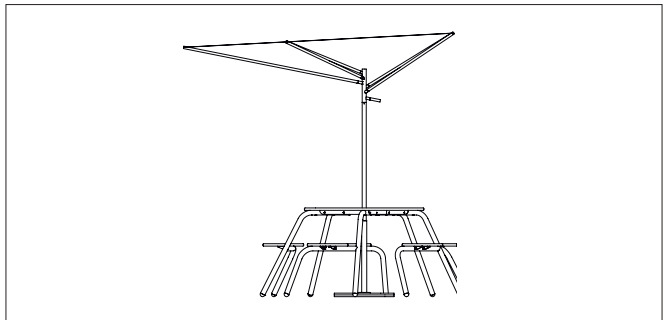
3-seater



4-seater



5-seater



Materials & colours



Poles & tubes



Structured powder-coating*

Fabric



White

Led-light



Cool white



Warm white

*Subject to change, check price list or www.extremis.com

Materials	Key facts	Thickness	Layer thickness	Density	In/outdoor	Water	UV colour fastness	Flame retarding
		mm	micron					
Structured powder-coated stainless steel tubes	<ul style="list-style-type: none"> • Easy to clean • Stainless steel (for protection against rust), then powder-coated • More scratch-resistant than non structured powder-coating 	2	80	8,00 10^3kg/m^3	Outdoor & indoor	n.a.	Very good: colour can fade to some extent when exposed to UV	NEN-EN13501-1 A1 *
PU coated polyester fabric	<ul style="list-style-type: none"> • High UV resistance • Long-term appearance • Washable 60° • Elastic 	n.a.	n.a.	180 g/m^2 pu = 75 g/m^2 pes = 105 g/m^2	Outdoor & indoor	Water-proofness 2000 GMD mm (ISO 811 1981)	/	/
Hot dip galvanised steel parasol foot	<ul style="list-style-type: none"> • Most durable method for protecting metal from rusting • Protective layer • Very long life span • 100% recyclable • Cradle to Cradle Certified™ 	0,07 - 0,39	50 - 100	0,47 10^3lb/ft^3	Outdoor & indoor	n.a.	Very good, galvanisation will however become less shiny when used outdoors	NEN-EN13501-1 A1 *
Stainless steel base	<ul style="list-style-type: none"> • High rust resistance • Periodical maintenance required 	2 - 5	n.a.	8,00 10^3kg/m^3	Outdoor & indoor	n.a.	Very good	NEN-EN13501-1 A1 *
Anodised aluminium battery Led-light	<ul style="list-style-type: none"> • Power: 5W • Output 80Lm • LED lifespan: 100000 hrs • Warm: 3000 K • Cold: 6000 K • Battery: 1 x 18650 • Battery life: +/- 8 hrs • Micro USB-loading • PMMA diffuser (frosted) 	/	/	/	Outdoor & indoor	IP65	/	/

* NEN-EN13501-1 A2-s1

Satisfying the same criteria as class B for the SBI-test according to EN 13823. In addition, under conditions of a fully developed fire these products will not significantly contribute to the fire load and fire growth.

Warnings

General

- Do not use any sharp tools to open the packaging.
- We strongly advise against using power tools.
- Tripping hazard, mind your step.
- Do not put out cigarettes on the parasol.
- Not graffiti proof.
- To avoid danger of suffocation, keep plastic bags away from babies and children.
- Colours can differ over years and from batch to batch.

Product

- Anchoring the product has to be done by qualified people.
- For anchoring: use suitable bolts or screws from a specialized store depending on the material your terrace is made of.
- Ask for assistance when detaching the fabric in strong winds.
- Store the fabric when not used for a long time in the delivered storage bag in a dry environment.
- Do not leave the parasol unattended when "opened".
- The fabric can be removed for washing. In the first place, you should disassemble the fabric when you do not use it and store it inside in the delivered storage bag. This protects the parasol from getting dirty.
- Tests in a wind tunnel have shown that the parasol withstands wind speeds up to 9 on the Beaufort

scale (when anchored to the floor). Still, it is best to disassemble it sooner (from wind speed 6 is the rule of thumb).

PU-coated polyester

- Shake or brush off loose dirt immediately.
- Do not use any aggressive detergents as they will remove the protective coating of the fabric.
- We strongly advise you not to use a high-pressure hose for cleaning.

Powder-coating

- White powder-coating requires more maintenance.
- Do not use abrasive scouring powders or scourers as they will scratch the surface.
- Colour can fade to some extent when exposed to UV.
- Flame retarding - NEN-EN13501-1 A2-sl - Satisfying the same criteria as Class B for the SBI-test according to EN13823. In addition, under conditions of a fully developed fire these products will not significantly contribute to the fire load and fire growth.
- Dark colors can get very hot in sunny weather.

Stainless steel

- Very good UV colour fastness.
- Flame retarding: NEN-EN13501-1 A1 - Class A1 products will not contribute to fire in any stage,

including fully developed fire. For this reason, they are assumed to be capable of satisfying all requirements of all lower classes as well.

- Watch out, stainless steel isn't entirely rustproof! Be sure to avoid contact with iron objects. If it does show signs of rust, clean with rust remover as quickly as possible.

Galvanised steel

- Galvanisation will become less shiny when used outdoors.
- Flame retarding - NEN-EN13501-1 A1 - Class A1 products will not contribute to fire in any stage, including fully developed fire. For this reason, they are assumed to be capable of satisfying all requirements of all lower classes as well.
- Possible impurities in the immersion tank can cause black marks during galvanization, which are intrinsic to this industrial finishing technique.
- White marks on this zinc layer are also intrinsic to this procedure and will disappear when the furniture is put outdoors.
- This industrial finishing technique may result in a rougher surface. This is intrinsic to the process.

Applications

Residential: In combination with Virus, or as a freestanding version. In your garden or on your terrace.

Project: hotel and catering industry, company terraces, event venues, schools, ...

Floor fastening

Acacia can be fixed to floor with bolts.



F.a.q.

Q: Is the fabric 100% waterproof?

A: Yes, it is a water-repellent polyurethane stretch canopy. The water flows off the parasol thanks to the slightly tilted position.

Q: Can you remove the fabric for washing?

A: Yes, simply remove the fabric by pulling the loop & wash at 60°. After washing, place the fabric on a frame to dry.

Q: How resistant is the parasol?

A: Tests in a wind tunnel have shown that the parasol, when anchored to the floor (!), withstands wind speeds up to 9 on the Beaufort scale. However we advise you to take off the fabric from wind speed 6 or whenever it is not in use. As you know, this takes less than a minute, right?

Q: Do you need to use a parasol cover?

A: No, this is what Acacia is all about. When not used, you simply take off the fabric and put it in the storage bag. What's left is a sculpture!

Maintenance

Find maintenance instructions at extremis.com/maintenance for:

PARASOL FABRIC

- Machine washable 60°.
- Do not use chlorine bleach.
- Do not use strong chemical cleaning fluid.
- Tumble dryer at low temperature.
- Do not iron.

POWDER-COATED PARTS

- White powder-coating obviously requires more maintenance.
- Clean stains with a magic eraser.

GALVANISED PARTS

- How to repair a damaged zinc layer?

STAINLESS STEEL

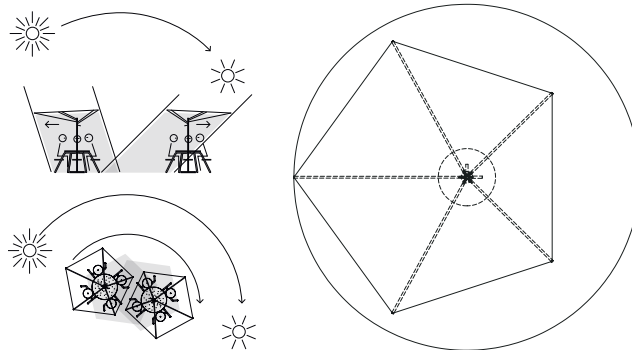
- Clean regularly with a dry cloth and some stainless steel cleaner.

Website

www.extremis.com/acacia

Good to know

- Acacia has a shadow surface range of **ø300 cm** and can be directed towards the sun.



- Acacia can be adjusted to 3 different heights.
- The structure can stay outdoors all year round.
- Acacia combines perfectly with Virus.

