

# AMAi chef

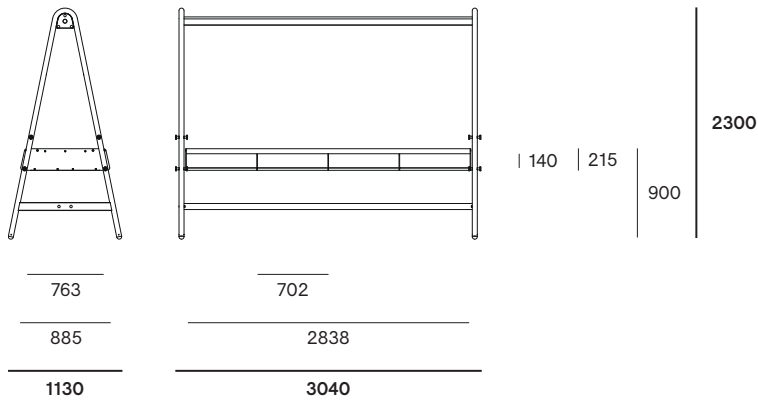
© design by Dirk Wynants

extremis®



## Dimensions

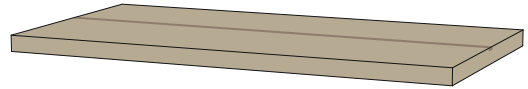
The AMAi chef is available in one dimension



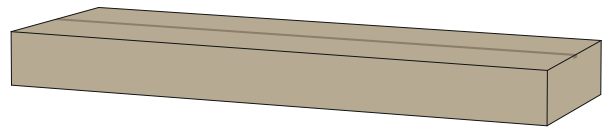
## Box dimensions

The AMAi chef comes in 6 boxes

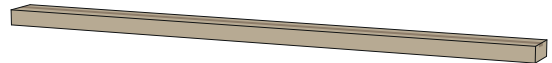
Box 1: A-frame (2x)



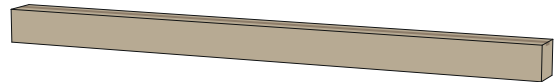
Box 2: Chef tabletop



Box 3: Footrest



Box 4: Top profile



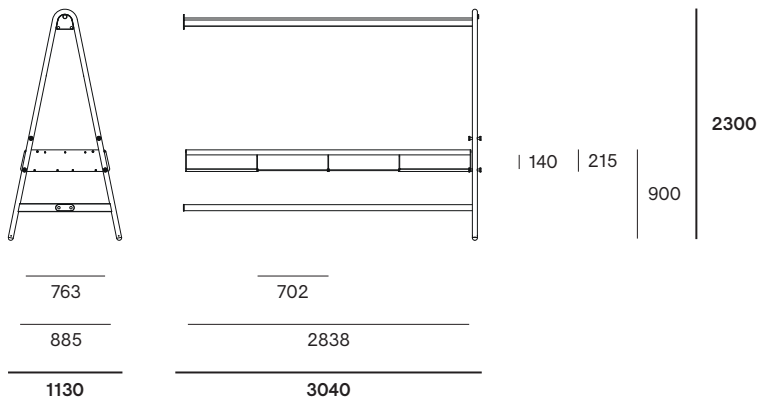
Box 5: Mounting kit



Box dimensions (mm)		L	W	H	Qty	Volume (m3)	Gross weight (kg)	Net weight (kg)	Packaging weight (kg)
AMAi chef	Box 1	2350	1200	84	2	0,47	42,20	32,20	10,00
	Box 2	2852	930	280	1	0,74	55,00	51,00	4,00
	Box 3	2900	190	70	1	0,04	10,70	9,50	1,20
	Box 4	2915	180	150	1	0,09	18,90	16,90	2,00
	Box 5	200	150	90	1	0,01	0,60	0,50	0,10
	Total:					<b>1,35</b>	<b>127,40</b>	<b>110,10</b>	<b>17,30</b>

# Chef extension module

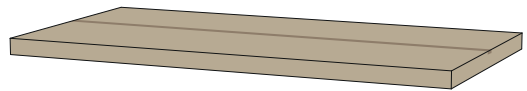
The chef extension module is available in one dimension



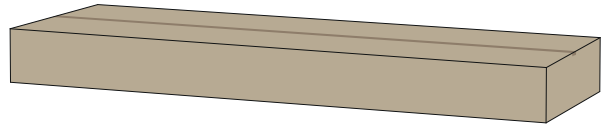
# Box dimensions

The chef extension module comes in 5 boxes

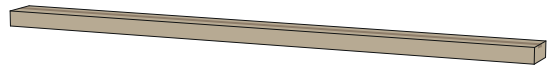
Box 1: A-frame (1x)



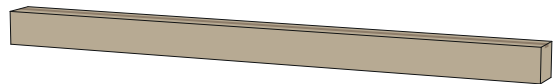
Box 2: Kitchen tabletop



Box 3: Footrest



Box 4: Top profile



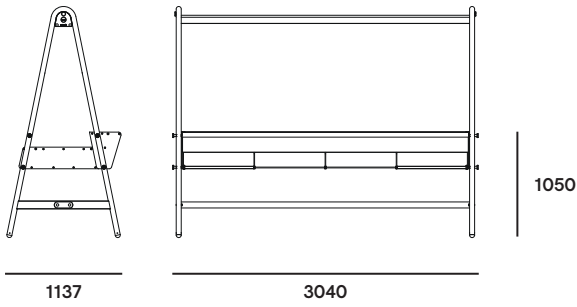
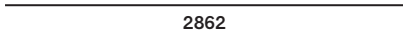
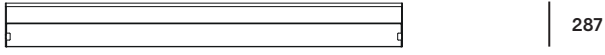
Box 6: Mounting kit extension



Box dimensions (mm)		L	W	H	Qty	Volume (m <sup>3</sup> )	Gross weight (kg)	Net weight (kg)	Packaging weight (kg)
<b>AMAI chef extension</b>	Box 1	2350	1200	84	1	0,24	21,10	16,10	5,00
	Box 2	2852	930	280	1	0,74	55,00	51,00	4,00
	Box 3	2900	190	70	1	0,04	10,70	9,50	1,20
	Box 4	2915	180	150	1	0,09	18,90	16,90	2,00
	Box 6	200	150	90	1	0,01	0,60	0,50	0,10
	<b>Total:</b>					<b>1,12</b>	<b>106,30</b>	<b>94,00</b>	<b>12,30</b>

## Bar

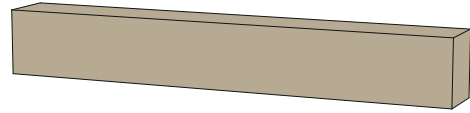
The bar is available in one dimension



## Box dimensions

The bar comes in 1 box

Box 7: Bar



Box dimensions (mm)		L	W	H	Qty	Volume (m3)	Gross weight (kg)	Net weight (kg)	Packaging weight (kg)
Bar	Box 7	2914	364	414	1	0,44	34,00	30,00	4,00

# Outdoor/indoor lighting & electricity module

The lighting & electricity module is available in one dimension

2 dimmable [LED lights](#) in the centre of the profile

Color temperature of 3000K (warm white)

Beam angle of 50°

1380 mA / 46 W / 50-60 Hz / IP54

Europe: 220 V / UK: 120 V / Japan: 100 V

[Electrical Plug](#)

16 A — 250 V

[USB & USBC module](#)

3 A — 5 V — 15 W

# Box dimensions

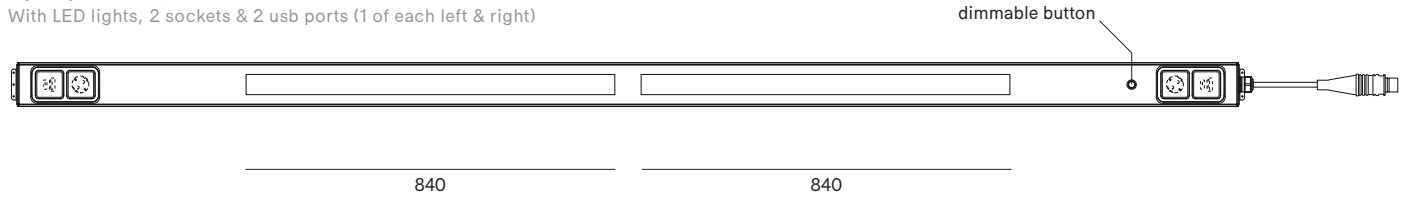
The lighting & electricity module comes in 1 box

[Box 8: lighting & electricity module](#)



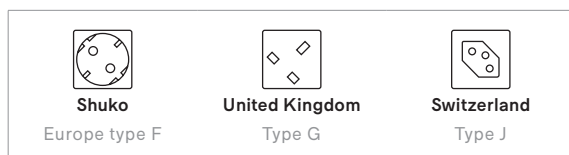
## Lighting, electricity & usb module

With LED lights, 2 sockets & 2 usb ports (1 of each left & right)

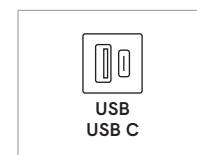


Box dimensions (mm)		L	W	H	Qty	Volume (m <sup>3</sup> )	Gross weight (kg)	Net weight (kg)	Packaging weight (kg)
Outdoor lighting & electricity module	Box 8	2825	120	85	1	0,03	17,00	15,00	2,00

## Types of electrical plugs



## Type of USB module



# Indoor lighting & electricity module

Each lighting & electricity module is available in one dimension

1 dimmable [LED light](#) in the centre of the profile  
 Color temperature of 3000K (warm white)  
 Beam angle of 50°  
 1380 mA / 46 W / 50-60 Hz / IP20  
 Europe: 220 V / US: 120 V / Japan: 100 V

## Electrical Plug

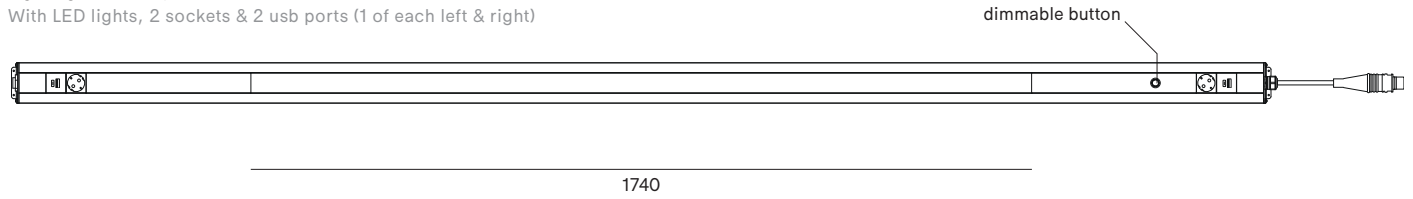
16 A — 250 V

## USB & USBC module

3 A — 5 V — 15 W

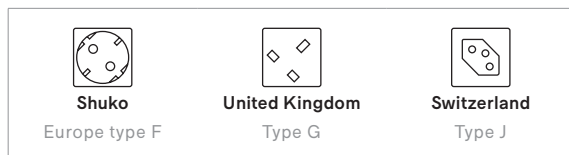
## Lighting, electricity & usb module

With LED lights, 2 sockets & 2 usb ports (1 of each left & right)

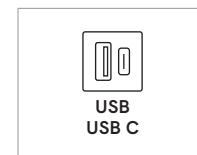


Box dimensions (mm)		L	W	H	Qty	Volume (m <sup>3</sup> )	Gross weight (kg)	Net weight (kg)	Packaging weight (kg)
Indoor lighting & electricity module	Box 9	2825	120	85	1	0,03	17,00	15,00	2,00

## Types of electrical plugs



## Type of USB module



# Box dimensions

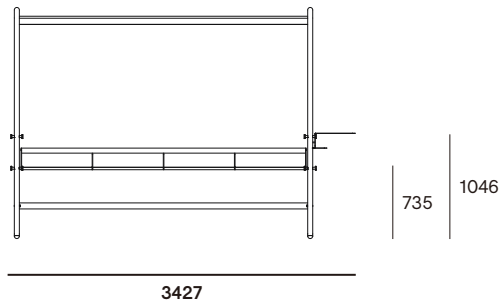
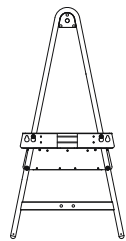
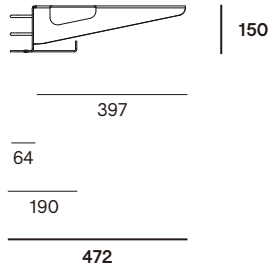
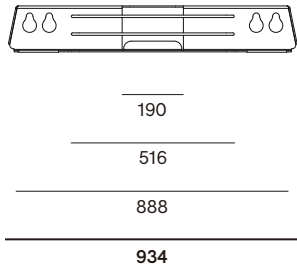
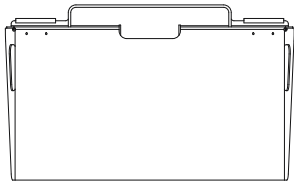
The lighting & electricity modules come in 1 box each

[Box 9](#): lighting & electricity module



## Add-on table

The add-on table is available in one dimension



## Box dimensions

The add-on table comes in 1 box

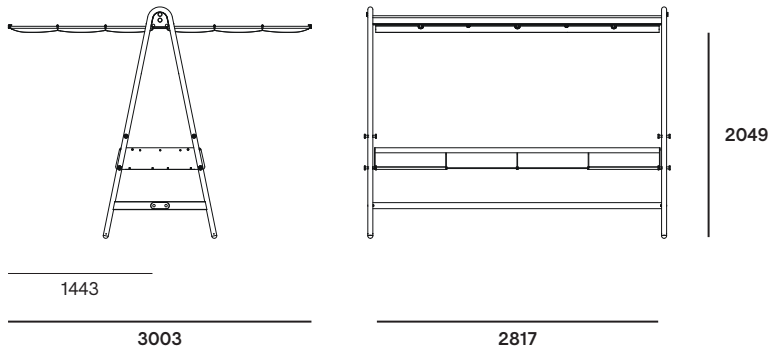
Box 11: Add-on table



Box dimensions (mm)		L	W	H	Qty	Volume (m <sup>3</sup> )	Gross weight (kg)	Net weight (kg)	Packaging weight (kg)
Add-on table	Box 11	940	475	150	1	0,07	13,50	12,80	0,70

## Shade

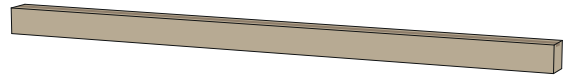
The shade is available in one dimension



## Box dimensions

The shade comes in 1 box

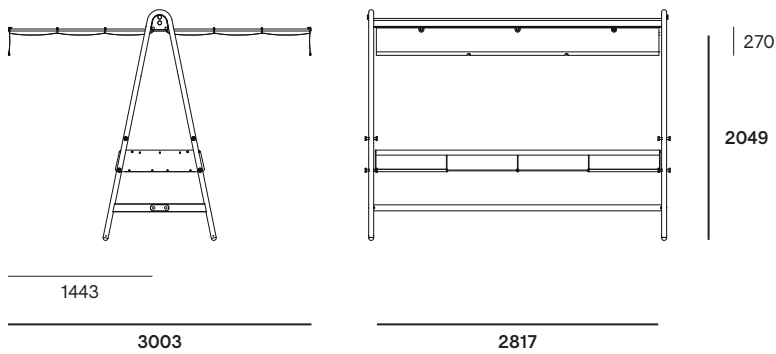
Box 12: Fabric + supports



Box dimensions (mm)		L	W	H	Qty	Volume (m3)	Gross weight (kg)	Net weight (kg)	Packaging weight (kg)
Shade (1 set)	Box 12	3015	146	140	1	0,06	12,00	10,00	2,00

## Market shade

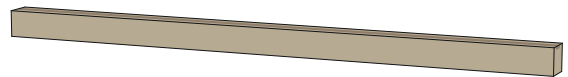
The market shade is available in one dimension



## Box dimensions

The market shade comes in 1 box

Box 13: Fabric + supports

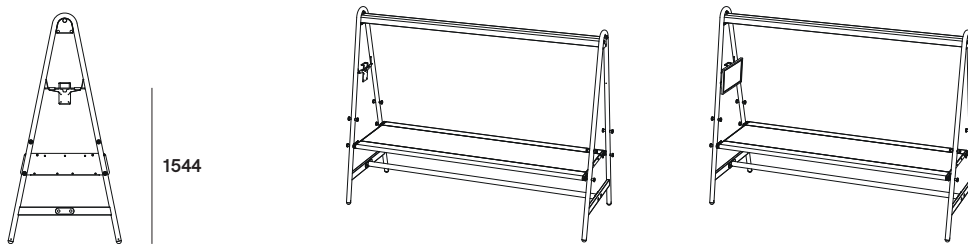
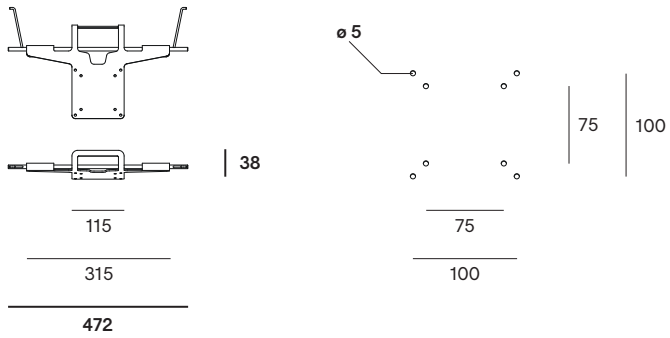


Box dimensions (mm)		L	W	H	Qty	Volume (m3)	Gross weight (kg)	Net weight (kg)	Packaging weight (kg)
Market shade (1 set)	Box 13	3015	146	140	1	0,06	13,00	11,00	2,00

## Monitor holder

The monitor holder is available in one dimension

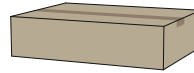
Vesa connection for computer monitor, not for a television



## Box dimensions

The monitor holder comes in 1 box

Box 14: screenholder



Box dimensions (mm)		L	W	H	Qty	Volume (m <sup>3</sup> )	Gross weight (kg)	Net weight (kg)	Packaging weight (kg)
Monitor holder	Box 14	400	300	100	1	0,01	1,50	1,30	0,20

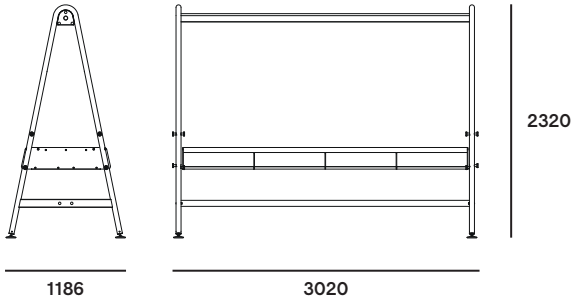


## Leveling feet

The leveling feet is available in one dimension



ø100



## Box dimensions

The leveling feet comes in 1 box

Box 16: leveling feet (4x)

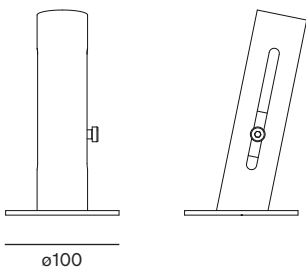
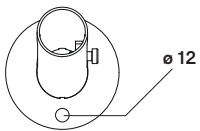


Box dimensions (mm)		L	W	H	Qty	Volume (m <sup>3</sup> )	Gross weight (kg)	Net weight (kg)	Packaging weight (kg)
Leveling feet	Box 16	200	150	90	1	0,01	0,60	0,50	0,10

## Floor fastening

The floor fastening is available in one dimension

The height of the floor fastening can also be adjusted.

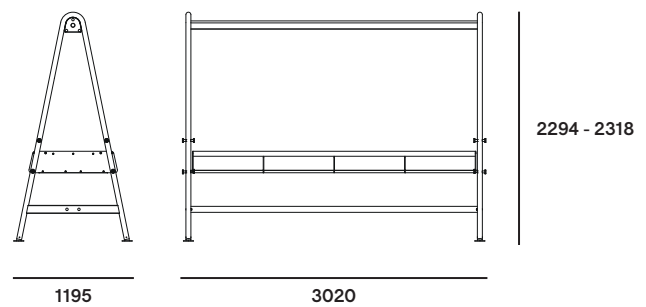


ø100

## Box dimensions

The floor fastening comes in 1 box

Box 17: floor fastening (4x)



Box dimensions (inch)		L	W	H	Qty	Volume (m <sup>3</sup> )	Gross weight (kg)	Net weight (kg)	Packaging weight (kg)
Floor fastening	Box 17	200	150	90	1	0,01	0,70	0,60	0,10

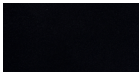
# Colors

Check price list or [www.extremis.com](http://www.extremis.com) for current colors

## A-frame, top profile & tabletop



Papyrus white (RAL9018)  
Structured powder coating



Black (RAL9005)  
Structured powder coating



Copper brown (RAL8004)  
Structured powder coating

## Bar



Papyrus white (RAL9018)  
Structured powder coating



Black (RAL9005)  
Structured powder coating



Copper brown (RAL8004)  
Structured powder coating

## Footrest

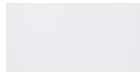


Galvanized steel



Stainless steel 316

## Shade fabric



White  
High-tech polyester



# Materials

Check price list or [www.extremis.com](http://www.extremis.com) for current materials

Materials	Key facts	Thickness	Layer thickness	Density	In/outdoor	Water	UV color fastness	Flame retarding
		mm	micron					
Structured powder coated stainless steel A-frame	<ul style="list-style-type: none"> <li>• Easy to clean</li> <li>• Stainless steel (for protection against rust), then powder coated</li> <li>• More scratch-resistant than non structured powder coating</li> </ul>	2	50 - 100	8,00 10 <sup>3</sup> kg/m <sup>3</sup>	Outdoor & indoor	n.a.	Very good: color can fade to some extent when exposed to UV	NEN-EN13501-1 A1 *
Structured powder coated aluminium tabletop side profiles & top profile	<ul style="list-style-type: none"> <li>• A technique of applying dry paint to a part</li> <li>• Electrostatically charged and sprayed onto the object</li> <li>• More scratch-resistant than non structured powder coating</li> </ul>	2-10	50 - 100	2,70 10 <sup>3</sup> kg/m <sup>3</sup>	Outdoor & indoor	n.a.	Very good: color can fade to some extent when exposed to UV	NEN-EN13501-1 A2-s1 **
Structured powder coated ZnAlMg steel tabletop centreplate	<ul style="list-style-type: none"> <li>• A technique of applying dry paint to a part</li> <li>• Electrostatically charged and sprayed onto the object</li> <li>• More scratch-resistant than non structured powder coated</li> </ul>	2	60	7,50 10 <sup>3</sup> kg/m <sup>3</sup>	Outdoor & indoor	n.a.	Very good: color can fade to some extent when exposed to UV	NEN-EN13501-1 A2-s1 **
Structured powder coated electro galvanized steel endcaps	<ul style="list-style-type: none"> <li>• Easy to clean</li> <li>• Electro galvanized (for extra protection against rust), then powder coated</li> <li>• More scratch-resistant than non structured powder coating</li> </ul>	6	100	7,50 10 <sup>3</sup> kg/m <sup>3</sup>	Outdoor & indoor	n.a.	Very good: color can fade to some extent when exposed to UV	NEN-EN13501-1 A1 *
Stainless steel footrest & shade structure	<ul style="list-style-type: none"> <li>• High rust resistance</li> <li>• Periodical maintenance required</li> </ul>	2	n.a.	8,00 10 <sup>3</sup> kg/m <sup>3</sup>	Outdoor & indoor	n.a.	Very good	NEN-EN13501-1 A1 *
High-tech polyester fabric	<ul style="list-style-type: none"> <li>• High UV resistance and ultra strong</li> <li>• Low weight / high tear strength</li> <li>• Long-term appearance</li> </ul>	0,37	n.a.	250 g/m <sup>3</sup>	Outdoor & indoor	Water column of 350 mm (EN 20811)	7/8 (ISO 105-B02)	/
LED light	<ul style="list-style-type: none"> <li>• Color temperature of 3000K</li> <li>• Beam angle of 50°</li> <li>• 1380 mA</li> <li>• 46 W</li> <li>• 220 V - 50/60 Hz</li> </ul>	n.a.	n.a.	n.a.	Outdoor & indoor		/	/

NEN-EN13501-1 A1	Class A1 products will not contribute to fire in any stage, including fully developed fire. For this reason, they are assumed to be capable of satisfying all requirements of all lower classes as well.
NEN-EN13501-1 A2-sl	Satisfying the same criteria as class B for the SBI-test according to EN 13823. In addition, under conditions of a fully developed fire these products will significantly contribute to the fire load a fire growthwell.

## Good to know

- Casambi Bluetooth electricity module.
- Patented

## Floor fastening

AMAI comes with an optional floor anchoring set: four steel plates to be fixed with bolts.

## F.A.Q.

Q: *How wind resistant is the shade?*

A: Tests in a windtunnel have shown that the shade withstands wind speeds up to 6 on the Beaufort scale (49 km/h). Still, we strongly advise to close it sooner (from 4 on the Beaufort scale is the rule of thumb (28 km/h)).

## Maintenance

Find maintenance instructions at the product care section of [extremis.com](https://extremis.com) for

### POWDER COATED PARTS

- White powder coating obviously requires more maintenance.
- Clean stains with Extremis Multi Cleaner.

### SHADE FABRIC

- Shake or brush off loose dirt immediately.
- Spray Extremis Multi Cleaner.
- Use a soft brush and make circular movements.
- Let the suds soak in for a moment.
- Rinse thoroughly to remove all soap residue.
- Simply allow to dry.

## Warnings

### General

- Do not use any sharp tools to open the packaging.
- We strongly advise against using power tools.
- Tripping hazard, mind your step.
- Do not put out cigarettes on the table.
- Not graffiti proof.
- Do not leave children unattended whilst playing on the table.
- To avoid danger of suffocation, keep plastic bags away from babies and children.
- Colors can differ over years and from batch to batch.

### Product

- Do not stand or jump on the table.
- Do not drag the table, but carry it with minimum 2 people.
- Anchoring the product has to be done by qualified people.
- For anchoring: use suitable bolts or screws from a specialized store depending on the material your terrace is made of.
- Tests in a windtunnel have shown that the shade

withstands wind speeds up to 6 on the Beaufort scale (49 km/h). Still, we strongly advise to close it sooner (from 4 on the Beaufort scale is the rule of thumb (28 km/h)).

### Powder coating

- White powder coating requires more maintenance.
- Do not use abrasive scouring powders or scourers as they will scratch the surface.
- Color can fade to some extent when exposed to UV.
- Flame retarding - NEN-EN13501-1 A2-sl - Satisfying the same criteria as Class B for the SBI-test according to EN13823. In addition, under conditions of a fully developed fire these products will not significantly contribute to the fire load and fire growth.
- Dark colors can get very hot in sunny weather.

### Galvanized steel

- Galvanization will become less shiny when used outdoors.
- Flame retarding - NEN-EN13501-1 A1 - Class A1 products will not contribute to fire in any stage,

including fully developed fire. For this reason, they are assumed to be capable of satisfying all requirements of all lower classes as well.

- Possible impurities in the immersion tank can cause black marks during galvanization, which are intrinsic to this industrial finishing technique.
- White marks on this zinc layer are also intrinsic to this procedure and will disappear when the furniture is put outdoors.
- This industrial finishing technique may result in a rougher surface. This is intrinsic to the process.

### High-tech polyester

- Shake or brush off loose dirt immediately.
- Do not use any aggressive detergents as they will remove the protective coating of the fabric.
- We strongly advise you not to use a high-pressure hose for cleaning.