

# Inumbra

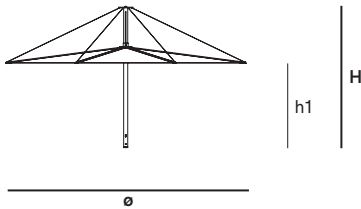
© design by Dirk Wynants

extremis®



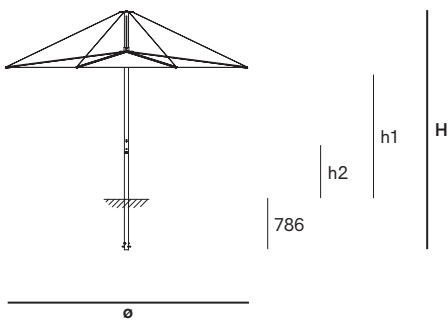
## Dimensions

The Inumbra is available in 2 dimensions



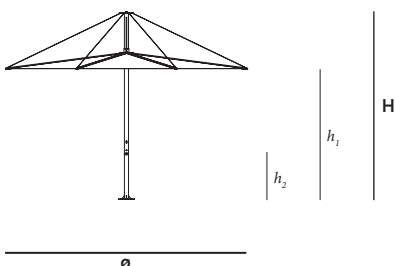
Dimensions (mm)	ø	H	h1
<b>Inumbra medium</b>	3500	2024	1216
<b>Inumbra large</b>	4000	2184	1319

In combination with permanent fixation



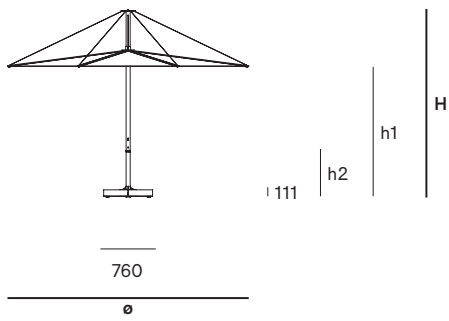
Dimensions (mm)	ø	H	h1	h2
<b>Inumbra medium</b>	3500	3526	1925	880
<b>Inumbra large</b>	4000	3686	2030	790

In combination with floor fastening  
2 heights available for the floor fastening



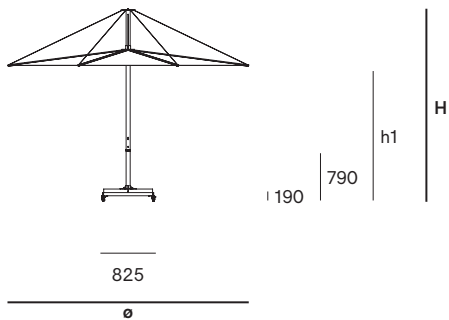
Dimensions (mm)	ø	H	h1	h2
<b>Inumbra medium</b>	3500	2627	1819	600
<b>Inumbra medium</b>	3500	2727	1919	700
<b>Inumbra large</b>	4000	2786	1922	600
<b>Inumbra large</b>	4000	2886	2022	700

In combination with concrete base  
 2 heights available for the concrete base parasol pole



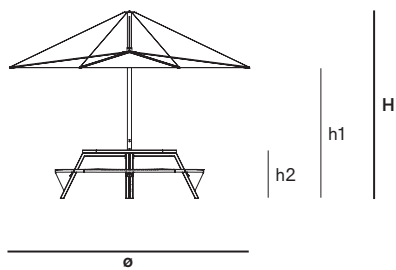
Dimensions (mm)	ø	H	h1	h2
<b>Inumbra medium</b>	3500	2738	1930	712
<b>Inumbra medium</b>	3500	2838	2030	712
<b>Inumbra large</b>	4000	2898	2034	812
<b>Inumbra large</b>	4000	2998	2134	812

In combination with concrete wheel base



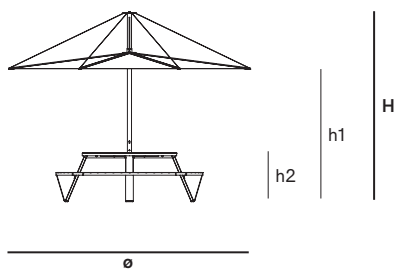
Dimensions (mm)	ø	H	h1
<b>Inumbra medium</b>	3500	2817	2009
<b>Inumbra large</b>	4000	2977	2169

In combination with Gargantua



Dimensions (mm)	ø	H	h1	h2
<b>Inumbra medium</b>	3500	2740	1932	890
<b>Inumbra large</b>	4000	2900	2036	800

In combination with Gargantua

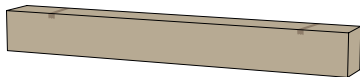


Dimensions (mm)	ø	H	h1	h2
<b>Inumbra medium</b>	3500	2770	1950	920
<b>Inumbra large</b>	4000	2930	2054	830

## Box dimensions

The Inumbra comes in 1 box

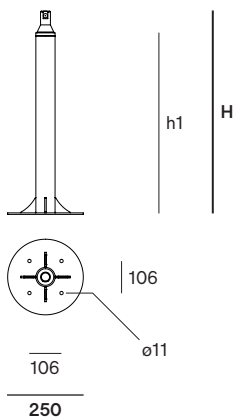
Box 1: Inumbra



Box dimensions (mm)		L	W	H	Qty	Volume (m3)	Gross weight (kg)	Net weight (kg)	Packaging weight (kg)
Inumbra medium	Box 1	2260	260	290	1	0,17	33,80	30,20	3,60
Inumbra large	Box 1	2260	260	290	1	0,17	38,80	35,20	3,60

## Floor fastening

The floor fastening (parasol base) is available in 2 heights



## Floor fastening box

The floor fastening (parasol base) comes in 1 box

Box 2: Floor fastening (parasol base)

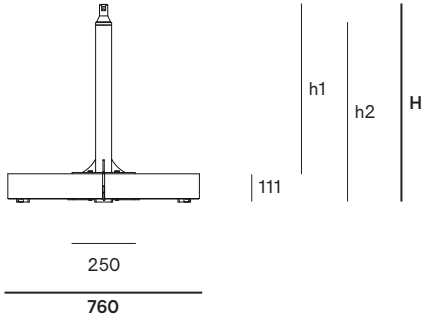
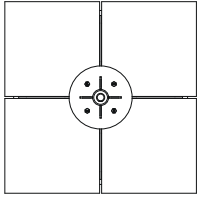


Dimensions (mm)	H	h1
Floor fastening - 60 cm	672	600
Floor fastening - 70 cm	772	700

Box dimensions (mm)		L	W	H	Qty	Volume (m3)	Gross weight (kg)	Net weight (kg)	Packaging weight (kg)
Floor fastening - 60 cm	Box 2	780	390	330	1	0,10	5,90	5,00	0,90
Floor fastening - 70 cm	Box 2	780	390	330	1	0,10	6,10	5,20	0,90

## Concrete base

The concrete base is available in 2 heights



## Concrete base box

The concrete base comes in 6 boxes

Box 2: Floor fastening (parasol base)



Box 3: Concrete block



Box 4: Frame for concrete blocks

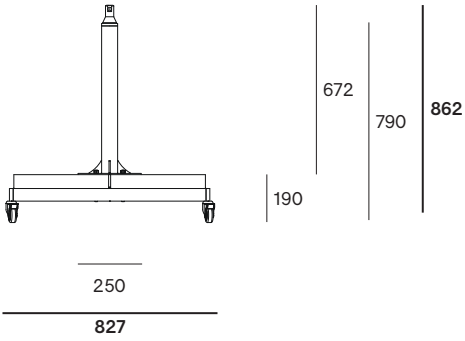
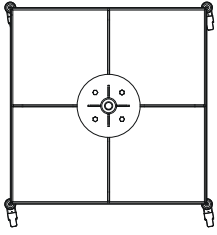


Dimensions (mm)	H	h1	h2
Concrete base - 71 cm	784	672	712
Concrete base - 81 cm	884	772	812

Box dimensions (mm)		L	W	H	Qty	Volume (m <sup>3</sup> )	Gross weight (kg)	Net weight (kg)	Packaging weight (kg)
Concrete base - 71 cm	Box 2	780	390	330	1	0,10	5,90	5,00	0,90
	Box 3	376	376	100	4	0,06	120,00	114,00	6,00
	Box 4	720	310	130	1	0,03	7,20	6,50	0,70
					Total:	<b>0,19</b>	<b>133,10</b>	<b>125,50</b>	<b>7,60</b>
Concrete base - 81 cm	Box 2	780	390	330	1	0,10	6,10	5,20	0,90
	Box 3	376	376	100	4	0,06	120,00	114,00	6,00
	Box 4	720	310	130	1	0,03	7,20	6,50	0,70
					Total:	<b>0,19</b>	<b>133,30</b>	<b>125,70</b>	<b>7,60</b>

## Concrete wheel base

The concrete wheel base is available in one dimension



## Concrete wheel base box

The concrete wheel base comes in 6 boxes

Box 2: Floor fastening (parasol base)



Box 3: Concrete block



Box 5: Frame for concrete wheel base

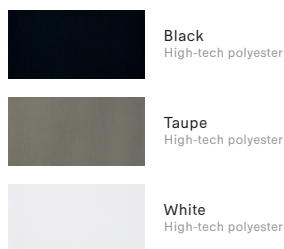


Box dimensions (mm)		L	W	H	Qty	Volume (m <sup>3</sup> )	Gross weight (kg)	Net weight (kg)	Packaging weight (kg)
Concrete wheel base	Box 2	780	390	330	1	0,10	5,90	5,00	0,90
	Box 3	376	376	100	4	0,06	120,00	114,00	6,00
	Box 5	850	850	150	1	0,11	22,40	21,00	1,40
					Total:	<b>0,27</b>	<b>148,30</b>	<b>140,00</b>	<b>8,30</b>

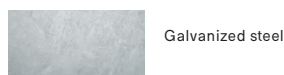
# Materials & colors

Check price list or [www.extremis.com](http://www.extremis.com) for current materials & colors

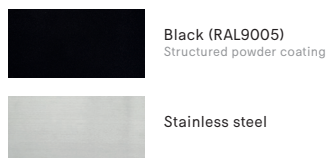
## Fabric



## Base frames



## Pole



Materials	Key facts	Thickness mm	Layer thickness micron	Density	In/outdoor	Water	UV color fastness	Flame retarding
High-tech polyester fabric	<ul style="list-style-type: none"> <li>High UV resistance and ultra strong</li> <li>Low weight / high tear strength</li> <li>Long-term appearance</li> </ul>	0,37	n.a.	250 g/m <sup>2</sup>	Outdoor & indoor	The fabric has a water column of 350 mm (EN 20811)	7/8 (ISO 105-B02)	/
Stainless steel parasol base	<ul style="list-style-type: none"> <li>High rust resistance</li> <li>Periodical maintenance required</li> </ul>	2 - 5	n.a.	8,00 10 <sup>3</sup> kg/m <sup>3</sup>	Outdoor & indoor	n.a.	Very good	NEN-EN13501-1 A1 *
Structured powder coated stainless steel pole	<ul style="list-style-type: none"> <li>Easy to clean</li> <li>Stainless steel (for protection against rust), then powder coated</li> <li>More scratch-resistant than non structured powder coating</li> </ul>	2 - 4	80	8,00 10 <sup>3</sup> kg/m <sup>3</sup>	Outdoor & indoor	n.a.	Very good: color can fade to some extent when exposed to UV	NEN-EN13501-1 A1 *
Hot dip galvanized steel base for concrete (wheel) base	<ul style="list-style-type: none"> <li>Most durable method for protecting metal from rusting</li> <li>Protective layer</li> <li>Very long life span</li> <li>100% recyclable</li> <li>Cradle to Cradle Certified™</li> </ul>	2 - 10	50 - 100	7,50 10 <sup>3</sup> kg/m <sup>3</sup>	Outdoor & indoor	n.a.	Very good, galvanization will however become less shiny when used outdoors	NEN-EN13501-1 A1 *
Cover	<ul style="list-style-type: none"> <li>100% polyester</li> <li>Polyuréthane coating</li> <li>Breathable, so not 100% waterproof</li> </ul>	0,50	n.a.	250 g/m <sup>2</sup>	Outdoor & indoor	Water repellent & breathable	6-8/8 (ISO 105-B02)	/

### NEN-EN13501-1 A1

Class A1 products will not contribute to fire in any stage, including fully developed fire. For this reason, they are assumed to be capable of satisfying all requirements of all lower classes as well.

## Good to know

- The diameter of the pole is ø63,5 mm.
- The parasol cover is included.
- Inumbra combines perfectly with Gargantua & Pantagruel picnic.



## Maintenance

- **PARASOL FABRIC**
- Machine washable 60°.
- Do not use chlorine bleach.
- Do not use strong chemical cleaning fluid.
- Tumble dryer at low temperature.
- Do not iron.

### STAINLESS STEEL

- Clean regularly with a dry cloth and some stainless steel cleaner.

### POWDER COATED PARTS

- White powder coating obviously requires more maintenance.
- Clean stains with a magic eraser.

## F.A.Q.

*Q: How wind resistant is the shade?*

**A:** Tests in a windtunnel have shown that the shade withstands wind speeds up to 8 on the Beaufort scale (74 km/h) when anchored to the floor. Still, we strongly advise to close it sooner (from 6 on the Beaufort scale is the rule of thumb (49 km/h)).

*Q: Is the fabric 100% waterproof?*

**A:** With light rain you stay easily seated underneath the shade. The fabric is slightly slanted in opened position. With heavy rain, the canvas lets through only a little bit of water. This is typical for the fabric and necessary, because the fabric should be able to ventilate.

*Q: Can you remove the fabric for washing?*

**A:** We do not advise this but it is possible. In the first place, you should close the parasol when you do not use it and protect it with its cover. This protects the parasol from getting dirty.

*Q: Do you need to use a parasol cover?*

**A:** The cover is needed to protect and fix the parasol when not in use. Protect your parasol from polluted rain, bird droppings, dust and heavy winds to avoid marks or stains on the parasol fabric.

## Warnings

### General

- Do not use any sharp tools to open the packaging.
- We strongly advise against using power tools.
- Tripping hazard, mind your step.
- Do not put out cigarettes on the parasol.
- Not graffiti proof.
- To avoid danger of suffocation, keep plastic bags away from babies and children.
- Colors can differ over years and from batch to batch.

### Product

- Do not leave the parasol unattended when opened.
- Anchoring the product has to be done by qualified people.
- For anchoring: use suitable bolts or screws from a specialized store depending on the material your terrace is made of.
- There is a 5mm gap between the parasol tube and the tube installed on the concrete base in order to ensure a proper fixation. As a result, the parasol will not be able to loosen by movement.
- If you hear the cables whistling due to heavy wind or if you are not using the parasol, close it and use the cover to avoid the parasol from opening or getting dirty.
- For ventilation purposes, the cover is not 100% waterproof.
- Ask for assistance when closing the parasol in strong winds. Opposite the wind's direction, at least one person needs to guide the parasol's

spines downwards in order to avoid the parasol from blowing open fiercely halfway down.

- Store the parasol when not used for a long time as follows: vertically, completely dry and in a dry environment.
- Do not leave closed if not completely dry. Do not leave the parasol closed for a long time when the parasol fabric is still damp or wet.
- The fabric can be removed for washing but we do not advise this. In the first place, you should close the parasol when you do not use it and protect it with its cover. This protects the parasol from getting dirty.
- Tests in a windtunnel have shown that the shade withstands wind speeds up to 8 on the Beaufort scale (74 km/h) when anchored to the floor. Still, we strongly advise to close it sooner (from 6 on the Beaufort scale is the rule of thumb (49 km/h)).

### High-tech polyester

- Shake or brush off loose dirt immediately.
- Do not use any aggressive detergents as they will remove the protective coating of the fabric.
- We strongly advise you not to use a high-pressure hose for cleaning.

### Stainless steel

- Very good UV color fastness.
- Flame retarding: NEN-EN13501-1 A1 - Class A1 products will not contribute to fire in any stage, including fully developed fire. For this reason,

they are assumed to be capable of satisfying all requirements of all lower classes as well.

- Watch out, stainless steel isn't entirely rustproof! Be sure to avoid contact with iron objects. If it does show signs of rust, clean with rust remover as quickly as possible.

### Powder coating

- White powder coating requires more maintenance.
- Do not use abrasive scouring powders or scourers as they will scratch the surface.
- Color can fade to some extent when exposed to UV.
- Flame retarding - NEN-EN13501-1 A2-sl - Satisfying the same criteria as Class B for the SBI-test according to EN13823. In addition, under conditions of a fully developed fire these products will not significantly contribute to the fire load and fire growth.
- Dark colors can get very hot in sunny weather.

### Concrete

- Matt and porous.
- Very good UV color fastness.
- Flame retarding: NEN-EN13501-1 A1 - Class A1 products will not contribute to fire in any stage, including fully developed fire. For this reason, they are assumed to be capable of satisfying all requirements of all lower classes as well.