

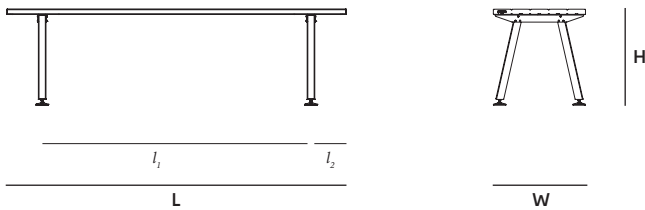
Marina table

© design by Metrica



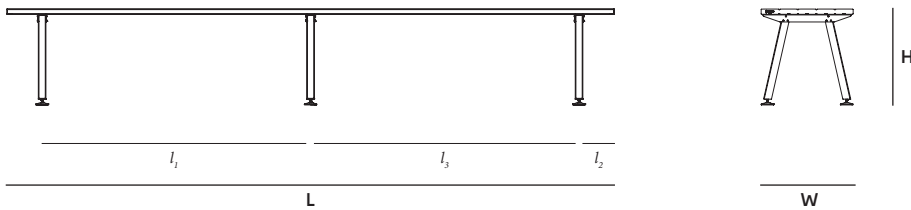
Table	2 legs
High table	3 legs
Bistro	4 legs
Floor fastening	5 legs

Marina table & high table



Dimensions (mm)	L	W _(6 prof.)	W _(6 prof.)	H	l ₁	l ₂	# legs	Dimensions (mm)	H
Marina table 0195	1950	720	870	750	1400	275	2	Marina high table	1050
Marina table 0265	2650	720	870	750	2100	275	2		
Marina table 0335	3350	720	870	750	2800	275	2		
Marina table 0405	4050	720	870	750	3500	275	2		

Marina high table comes in the same different lengths as the Marina tables.



Dimensions (mm)	L	W _(6 prof.)	W _(6 prof.)	H	l ₁	l ₂	l ₃	l ₄	l ₅	# legs
Marina table 475	4750	720	870	750	2100	275	2100	/	/	3
Marina table 545	5450	720	870	750	2800	275	2100	/	/	3
Marina table 615	6150	720	870	750	2800	275	2800	/	/	3
Marina table 685	6850	720	870	750	3500	275	2800	/	/	3
Marina table 755	7550	720	870	750	3500	275	3500	/	/	3
Marina table 825	8250	720	870	750	2800	275	2100	2800	/	4
Marina table 895	8950	720	870	750	2800	275	2800	2800	/	4
Marina table 965	9650	720	870	750	2800	275	3500	2800	/	4
Marina table 1035	10350	720	870	750	3500	275	2800	3500	/	4
Marina table 1105	11050	720	870	750	3500	275	3500	3500	/	4
Marina table 1175	11750	720	870	750	2800	275	2800	2800	2800	5

extremis®

The content of this document, in particular the mentioned models, is protected by copyrights and/or design rights. The present document and its content is communicated to you for information purposes only. Any partial or total reproduction or any other use without our prior written permission is strictly prohibited. This technical sheet remains subject to possible changes. **All dimensions are in mm**, unless mentioned otherwise. Extremis is not responsible for the errors in the documentation of products. All measurements are approximate and are provided for informational purposes only.

Tech sheet
20201221



BOX 1: 3 PROFILES



BOX 3: 1 SET TABLE LEGS + MOUNTING KIT



BOX 2: 2 PROFILES



BOX 4: ENDCAPS (+ REINFORCEMENT PROFILE)+ MOUNTING KIT




Box dimensions (mm)		L	W	H	Qty (#)	Volume (m ³)	Gross weight (kg)	Net weight (kg)	Packaging weight (kg)
Marina table 195 (tabletop 720 mm)	Box 1	2030	140	120	1	0,03	17,20	15,70	1,50
	Box 2	2030	140	80	1	0,02	11,40	10,50	0,90
	Box 3	870	145	75	2	0,02	17,80	16,20	1,60
	Box 4	870	145	75	1	0,01	2,22	1,88	0,34
					total:	0,08	48,62	44,28	4,34
Marina table 195 (tabletop 870 mm)	Box 1	2030	140	120	2	0,07	34,40	31,40	3,00
	Box 3	870	145	75	2	0,02	19,00	17,40	1,60
	Box 4	870	145	75	1	0,01	2,62	2,22	0,40
					total:	0,10	56,02	51,02	5,00
Marina table 265 (tabletop 720 mm)	Box 1	2730	140	120	1	0,05	23,40	21,40	2,00
	Box 2	2730	140	80	1	0,03	15,50	14,30	1,20
	Box 3	870	145	75	2	0,02	17,80	16,20	1,60
	Box 4	870	145	75	1	0,01	2,22	1,88	0,34
					total:	0,11	58,92	53,78	5,14
Marina table 265 (tabletop 870 mm)	Box 1	2730	140	120	2	0,09	46,80	42,80	4,00
	Box 3	870	145	75	2	0,02	19,00	17,40	1,60
	Box 4	870	145	75	1	0,01	2,62	2,22	0,40
					total:	0,12	68,42	62,42	6,00
Marina table 335 (tabletop 720 mm)	Box 1	3430	140	120	1	0,06	29,50	27,00	1,50
	Box 2	3430	140	80	1	0,04	19,60	18,00	1,60
	Box 3	870	145	75	2	0,02	17,80	16,20	1,60
	Box 4	870	145	75	1	0,01	3,41	3,01	0,40
					total:	0,13	70,31	64,21	5,10
Marina table 335 (tabletop 870 mm)	Box 1	3430	140	120	2	0,12	59,00	54,00	5,00
	Box 3	870	145	75	2	0,02	19,00	17,40	1,60
	Box 4	870	145	75	1	0,01	4,56	4,16	0,40
					total:	0,15	80,62	73,62	7,00
Marina table 405 (tabletop 720 mm)	Box 1	4130	140	120	1	0,07	35,70	32,70	3,00
	Box 2	4130	140	80	1	0,05	23,70	21,80	1,90
	Box 3	870	145	75	2	0,02	17,80	16,20	1,60
	Box 4	870	145	75	1	0,01	3,41	3,01	0,40
					total:	0,15	80,61	73,71	6,90
Marina table 405 (tabletop 870 mm)	Box 1	4130	140	120	2	0,14	71,40	65,40	6,00
	Box 3	870	145	75	2	0,02	19,00	17,40	1,60
	Box 4	870	145	75	1	0,01	4,56	4,16	0,40
					total:	0,17	93,02	85,02	8,00

Box dimensions (mm)		L	W	H	Qty (#)	Volume (m ³)	Gross weight (kg)	Net weight (kg)	Packaging weight (kg)
Marina table 475 (tabletop 720 mm)	Box 1	4830	140	120	1	0,08	41,90	38,30	3,60
	Box 2	4830	140	80	1	0,05	27,90	25,60	2,30
	Box 3	870	145	75	3	0,03	26,70	24,30	2,40
	Box 4	870	145	75	1	0,01	3,41	3,01	0,40
					total:	0,17	98,72	90,08	2,80
Marina table 475 (tabletop 870 mm)	Box 1	4830	140	120	2	0,16	83,80	76,60	7,20
	Box 3	870	145	75	3	0,03	28,50	26,10	2,40
	Box 4	870	145	75	1	0,01	4,56	4,16	0,40
					total:	0,20	114,92	104,92	10,00
Marina table 545 (tabletop 720 mm)	Box 1	5530	140	120	1	0,09	48,10	44,00	4,10
	Box 2	5530	140	80	1	0,06	32,00	29,30	2,70
	Box 3	870	145	75	3	0,03	26,70	24,30	2,40
	Box 4	870	145	75	1	0,01	4,88	4,48	0,40
					total:	0,19	110,21	100,61	9,60
Marina table 545 (tabletop 870 mm)	Box 1	5530	140	120	2	0,19	96,20	88,00	8,20
	Box 3	870	145	75	3	0,03	28,50	26,10	2,40
	Box 4	870	145	75	1	0,01	6,50	6,10	0,40
					total:	0,23	127,32	116,32	11,00
Marina table 615 (tabletop 720 mm)	Box 1	6230	140	120	1	0,10	54,20	49,60	4,60
	Box 2	6230	140	80	1	0,07	36,10	33,10	3,00
	Box 3	870	145	75	3	0,03	26,70	24,30	2,40
	Box 4	870	145	75	1	0,01	4,88	4,48	0,40
					total:	0,21	118,88	111,48	10,40
Marina table 615 (tabletop 870 mm)	Box 1	6230	140	120	2	0,21	108,40	99,20	9,20
	Box 3	870	145	75	3	0,03	28,50	26,10	2,40
	Box 4	870	145	75	1	0,01	6,50	6,10	0,40
					total:	0,25	139,52	127,52	12,00
Marina table 685 (tabletop 720 mm)	Box 1	6930	140	120	1	0,12	60,40	55,30	5,10
	Box 2	6930	140	80	1	0,08	40,20	36,90	3,30
	Box 3	870	145	75	3	0,03	26,70	24,30	2,40
	Box 4	870	145	75	1	0,01	4,88	4,48	0,40
					total:	0,24	132,18	120,98	11,20
Marina table 685 (tabletop 870 mm)	Box 1	6930	140	120	2	0,23	120,80	110,60	10,20
	Box 3	870	145	75	3	0,03	28,50	26,10	2,40
	Box 4	870	145	75	1	0,01	6,50	6,10	0,40
					total:	0,27	151,92	138,92	13,00
Marina Table 755 (tabletop 720 mm)	Box 1	7630	140	120	1	0,13	66,60	60,90	5,70
	Box 2	7630	140	80	1	0,09	44,30	40,60	3,70
	Box 3	870	145	75	3	0,03	26,70	24,30	2,40
	Box 4	870	145	75	1	0,01	4,88	4,48	0,40
					total:	0,26	142,48	130,28	12,20
Marina table 755 (tabletop 870 mm)	Box 1	7630	140	120	2	0,26	133,20	121,80	11,40
	Box 3	870	145	75	3	0,03	28,50	26,10	2,40
	Box 4	870	145	75	1	0,01	6,50	6,10	0,40
					total:	0,30	164,32	150,12	14,20

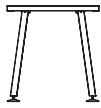
Box dimensions (mm)		L	W	H	Qty (#)	Volume (m ³)	Gross weight (kg)	Net weight (kg)	Packaging weight (kg)
Marina table 825 (tabletop 720 mm)	Box 1	8330	140	120	1	0,14	72,80	66,60	6,20
	Box 2	8330	140	80	1	0,09	48,40	44,40	4,00
	Box 3	870	145	75	4	0,04	35,60	32,40	3,20
	Box 4	870	145	75	1	0,01	2,22	1,88	0,34
					total:	0,28	159,02	145,28	13,74
Marina table 825 (tabletop 870 mm)	Box 1	8330	140	120	2	0,28	145,60	133,20	12,40
	Box 3	870	145	75	4	0,04	38,00	34,80	3,20
	Box 4	870	145	75	1	0,01	2,62	2,22	0,40
					total:	0,33	186,22	170,22	16,00
Marina table 895 (tabletop 720 mm)	Box 1	9030	140	120	1	0,15	78,90	72,30	6,60
	Box 2	9030	140	80	1	0,10	52,50	48,20	4,30
	Box 3	870	145	75	4	0,04	35,60	32,40	3,20
	Box 4	870	145	75	1	0,01	6,35	5,65	0,70
					total:	0,30	173,35	158,55	14,80
Marina table 895 (tabletop 870 mm)	Box 1	9030	140	120	2	0,30	157,80	144,60	13,20
	Box 3	870	145	75	4	0,04	38,00	34,80	3,20
	Box 4	870	145	75	1	0,01	8,43	8,03	0,40
					total:	0,35	198,42	181,62	16,80
Marina table 965 (tabletop 720 mm)	Box 1	9730	140	120	1	0,16	85,10	77,90	7,20
	box 2	9730	140	80	1	0,11	56,60	51,90	4,70
	Box 3	870	145	75	4	0,04	35,60	32,40	3,20
	Box 4	870	145	75	1	0,01	6,35	5,65	0,70
					total:	0,32	183,65	167,85	15,80
Marina table 965 (tabletop 870 mm)	Box 1	9730	140	120	2	0,33	170,20	155,80	14,40
	Box 3	870	145	75	4	0,04	38,00	34,80	3,20
	Box 4	870	145	75	1	0,01	8,43	8,03	0,40
					total:	0,38	210,82	192,82	18,00
Marina table 1035 (tabletop 720 mm)	Box 1	10430	140	120	1	0,18	91,30	83,60	7,70
	Box 2	10430	140	80	1	0,12	60,70	55,70	5,00
	Box 3	870	145	75	4	0,04	35,60	32,40	3,20
	Box 4	870	145	75	1	0,01	6,35	5,65	0,70
					total:	0,35	193,95	177,35	16,60
Marina table 1035 (tabletop 870 mm)	Box 1	10430	140	120	2	0,35	182,60	167,20	15,40
	Box 3	870	145	75	4	0,04	38,00	34,80	3,20
	Box 4	870	145	75	1	0,01	8,43	8,03	0,40
					total:	0,40	229,03	210,03	19,00
Marina table 1105 (tabletop 720 mm)	Box 1	11130	140	120	1	0,19	97,40	89,20	8,20
	Box 2	11130	140	80	1	0,12	64,80	59,50	5,30
	Box 3	870	145	75	4	0,04	35,60	32,40	3,20
	Box 4	870	145	75	1	0,01	6,35	5,65	0,70
					total:	0,36	204,15	186,75	17,40
Marina table 1105 (tabletop 870 mm)	Box 1	11130	140	120	2	0,37	194,80	178,40	16,40
	Box 3	870	145	75	4	0,04	38,00	34,80	3,20
	Box 4	870	145	75	1	0,01	8,43	8,03	0,40
					total:	0,42	241,23	221,23	20,00

Box dimensions (mm)		L	W	H	Qty (#)	Volume (m ³)	Gross weight (kg)	Net weight (kg)	Packaging weight (kg)
Marina table 1175 (tabletop 720 mm)	Box 1	11830	140	120	1	0,20	103,60	94,90	8,70
	Box 2	11830	140	80	1	0,13	68,90	63,20	5,70
	Box 3	870	145	75	5	0,05	44,50	40,50	4,00
	Box 4	870	145	75	1	0,01	7,76	7,36	0,40
					total:	0,39	224,76	205,96	18,80
Marina table 1175 (tabletop 870 mm)	Box 1	11830	140	120	2	0,40	207,20	189,80	17,40
	Box 3	870	145	75	5	0,05	47,50	43,50	4,00
	Box 4	870	145	75	1	0,01	10,38	9,88	0,50
						total:	0,46	265,08	243,18

Floor fastening set

Box dimensions (mm)		L	W	H	Qty (#)	Volume (m ³)	Gross weight (kg)	Net weight (kg)	Packaging weight (kg)
BOX 5: FLOOR FASTENING SET									
									
Floor fastening set	Box 5	205	145	150	1	0,01	0,30	0,23	0,07

Bistro



L



W

H

Dimensions (mm)	L	W	H
Marina bistro 72	720	720	750
Marina bistro 144	1440	720	750

BOX 1: 3 PROFILES



BOX 2: 2 PROFILES



BOX 3: TABLE LEGS + END PIECES + MOUNTING KIT



Box dimensions (mm)		L	W	H	Qty (#)	Volume (m ³)	Gross weight (kg)	Net weight (kg)	Packaging weight (kg)
Marina bistro 72	Box 1	800	140	120	1	0,01	6,30	5,80	0,50
	Box 2	800	140	80	1	0,01	4,20	3,90	0,30
	Box 3	690	120	75	1	0,01	14,10	13,30	0,80
					total:	0,03	24,60	23,00	1,60
Marina bistro 144	Box 1	1500	140	120	1	0,03	12,70	11,60	1,10
	Box 2	1500	140	80	1	0,02	8,40	7,70	0,70
	Box 3	690	120	75	1	0,01	14,10	13,30	0,80
					total:	0,06	35,20	32,60	2,60

Materials & colors



Materials	Key facts	Thickness mm	Layer thickness micron	Density	In/outdoor	Water	UV colour fastness	Flame retarding
Coated fiberglass tabletop & benches	<ul style="list-style-type: none"> Made with pultrusion technique: a non-stop process of fibre glass wires pulled through a bath of polyester Strong Lightweight 	2,7	n.a.	1,80 10 ³ kg/m ³	Outdoor & indoor	n.a.	Very good: color can fade to some extent when exposed to UV	/
Structured powder coated electro galvanized steel legs	<ul style="list-style-type: none"> Easy to clean Electro galvanized (for extra protection against rust), then powder coated More scratch-resistant than non structured powder coating 	3	100	7,50 10 ³ kg/m ³	Outdoor & indoor	n.a.	Very good: color can fade to some extent when exposed to UV	NEN-EN13501-1 A1 *
Polyamide feet	<ul style="list-style-type: none"> Injection-moulded nylon Adjustable in height and surface 	n.a.	n.a.	1,14 10 ³ kg/m ³	Outdoor & indoor	n.a.	Very good	/

* NEN-EN13501-1 A1

Class A1 products will not contribute to fire in any stage, including fully developed fire. For this reason, they are assumed to be capable of satisfying all requirements of all lower classes as well.

Warnings

General

- Do not use any sharp tools to open the packaging.
- We strongly advise against using power tools.
- Tripping hazard, mind your step.
- Do not put out cigarettes on the table.
- Not graffiti proof.
- Do not leave children unattended whilst playing on the table.
- To avoid danger of suffocation, keep plastic bags away from babies and children.
- Colors can differ over years and from batch to batch.

people.

- Anchoring the product has to be done by qualified people.
- For anchoring; use suitable bolts or screws from a specialized store depending on the material your terrace is made of.
- We strongly advise you against standing on top of the table! A concentrated load can cause small perceptible cracks in the profiles that might be visually annoying, although they do not affect the strength of the table in any way.
- For table with 3 legs or more, we recommend using trestles to attach the table leg assemblies to the tabletop, instead of keeping it upside down.

Coated fiberglass

- Do not use abrasive scouring powders or scourers as they will scratch the surface.
- Color can fade to some extent when exposed to UV.
- Dark colors can get very hot in sunny weather.

Product

- Do not drag the table, but carry it with minimum 2

Applications

Residential: on terraces, patios, courtyards. Indoor or outdoor, as a dining table, desk, ...

Project: hotel and catering industry, company terraces, public spaces, offices, meeting rooms, bars, ...

Marina table combines perfectly with Captain's Chairs.



Floor fastening

Marina table comes with an optional floor fastening set.

Find more instructions in the manual.



F.a.q.

Q: What is the biggest size possible?

A: We have produced a 30m table, the only problem is transport. We can deliver tables up to 6m without extra costs.

Q: What about UV-resistance?

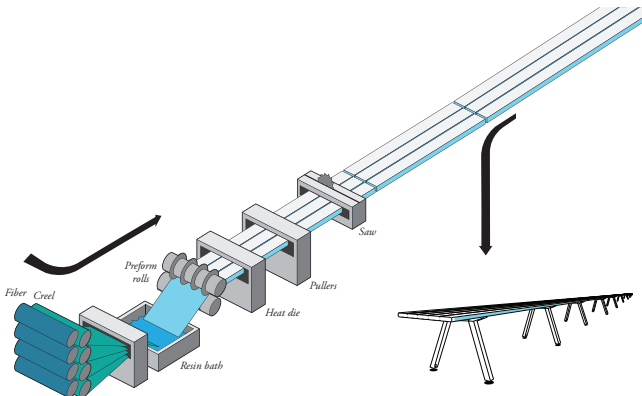
A: By adding special additives, the material of the Marina picnic has a much higher UV-resistance than other white synthetics. We don't have to tell you that that white will not stay brilliantly white.

Q: Are the legs corrosion-resistant?

A: The legs are first galvanised, and powder-coated afterwards. This way, we have a double protection layer.

Good to know

- 70 cm chair space / person.
- Fibre glass reinforced polyester resin material is made with the so-called pultrusion technique. Pultrusion is a non-stop process of pulling fibre glass wires through a bath of polyester resin and letting them harden in a matrix afterwards to get their final shape.
- Main advantages of this material are its strength and low weight.



Awards

